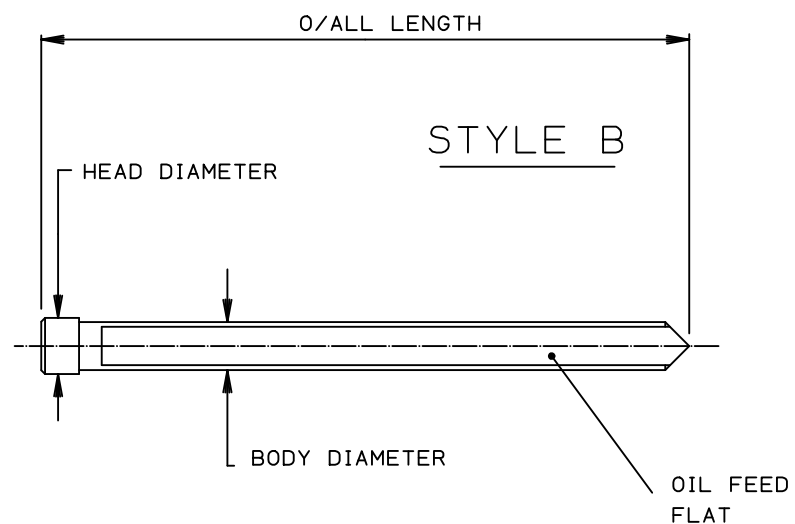
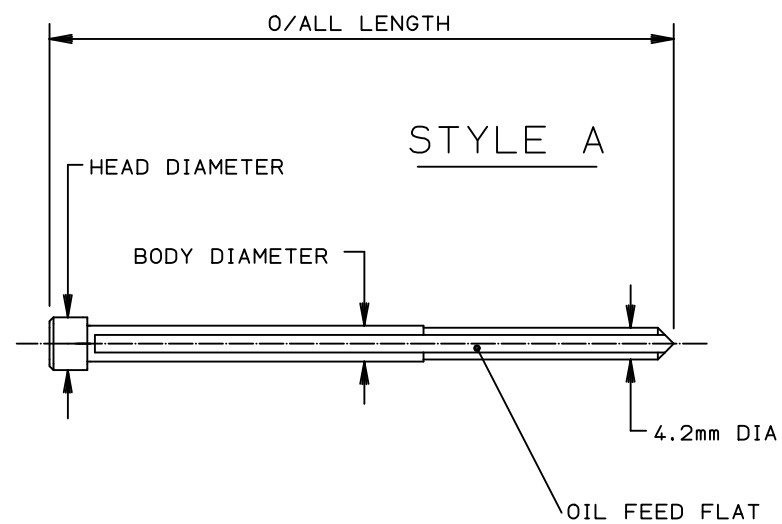


DRAWING N ^o TDS-211	
SH ^T -2	MOD.

MOD N ^o	MOD NOTE REF N ^o	DATE OF MOD
	85mm & 110mm DOC PILOT PINS ADDED - GW	



MATERIAL	STEEL
FINISH	CHEMICAL BLACKED

CATALOGUE REFERENCE	INTERNAL PRODUCT CODE	CUTTER DIA RANGE	PIN STYLE	OVERALL LENGTH	HEAD DIAMETER	BODY DIAMETER	APPROX WEIGHT
SHORT REACH PILOT PIN	20ZASR	1/2" & ABOVE	B	78mm	7.0mm	6.3mm	20g
LONG REACH PILOT PIN	20ZALR	1/2" & ABOVE	B	102mm	7.0mm	6.3mm	26g
M12 SHORT REACH PILOT PIN	20ZAXL100P-7/16	7/16"	A	83mm	7.0mm	4.7mm	11g
M12 LONG REACH PILOT PIN	20ZAXL200P-7/16	7/16"	A	102mm	7.0mm	4.7mm	13g
3" CUT DEPTH PILOT PIN	20ZA300P	1/2" & ABOVE	B	135mm	7.0mm	6.3mm	32g
4" CUT DEPTH PILOT PIN	20ZA400P	1/2" & ABOVE	B	159mm	7.0mm	6.3mm	38g
85mm CUT DEPTH PILOT PIN	20ZAM85	1/2" & ABOVE	B	144mm	7.0mm	6.3mm	...
110mm CUT DEPTH PILOT PIN	20ZAM110	1/2" & ABOVE	B	168mm	7.0mm	6.3mm	...

REMARKS	
---------	--

THIS DRAWING IS FOR CUSTOMER COMMUNICATION & CATALOGUE DATA ONLY		
DATE	01-09-11	CATALOGUE REF. SEE REFERENCE
DRAWN	G.WINNARD	
CHECK ^D		
DO NOT SCALE		

TITLE PINS FOR POWERBOR CUTTERS HSS SHORT, EXTRA LONG AND XX LONG PATTERN	
COMPUTER FILENAME : TDS211S2	DRAWING N ^o TDS-211
G & J HALL Ltd.	SH ^T -2 MOD.