

DRAWING N^o
TDS-208

SH ^T .	MOD.
-------------------	------

MOD N ^o	MOD NOTE REF N ^o	DATE OF MOD

MATERIAL

BM2 HSS

FINISH

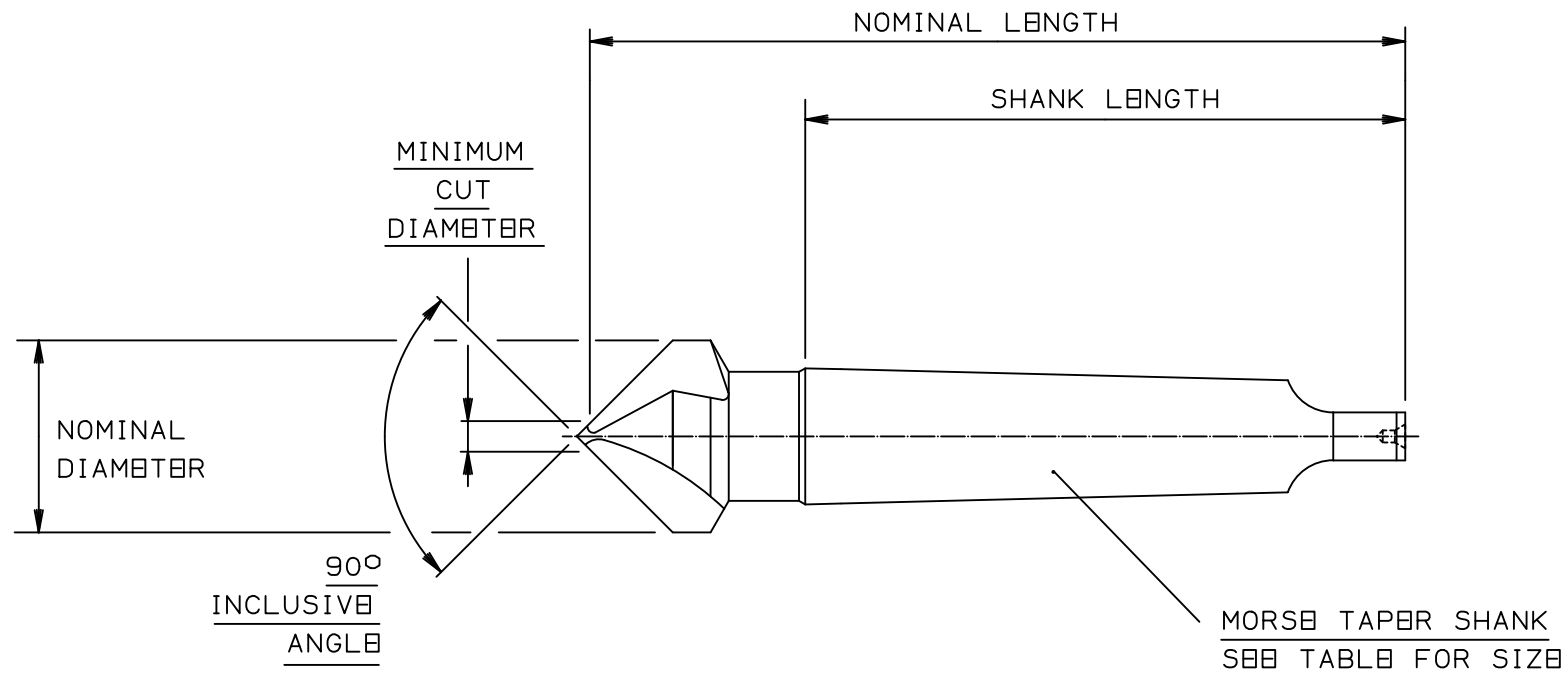
BLUE ALL OVER EXCEPT FOR
GROUND SHANK DIAMETER,
HEAD DIAMETER AND
CUTTING LANDS.

REMARKS

HSS COUNTERSINKS
TO DIN 335D

THIS DRAWING IS FOR
CUSTOMER COMMUNICATION &
CATALOGUE DATA ONLY

DATE	05-01-99	CATALOGUE REF. SEE TOOL N ^o IN TABLE
DRAWN	A KBLBY	
CHECK ^D		
DO NOT SCALE		



TOOL N ^o	INTERNAL PRODUCT CODE	NOMINAL DIAMETER	MINIMUM CUT DIAMETER	NOMINAL LENGTH	MORSE SHANK SIZE	SHANK LENGTH	N ^o OF FLUTES	APPROX WEIGHT
MT CS3 16	26D16	16.5mm	3.2mm	85mm	No1	65mm	3	60g
MT CS3 20	26D20	20.5mm	3.5mm	100mm	No2	79.5mm	3	150g
MT CS3 25	26D25	25mm	3.8mm	106mm	No2	79.5mm	3	160g
MT CS3 31	26D31	31mm	4.2mm	112mm	No2	79.5mm	3	200g
MT CS3 40	26D40	40mm	10mm	140mm	No3	98.5mm	3	440g

TITLE 3 FLUTE COUNTERSINKS WITH MORSE TAPER SHANKS (DIN 335 FORM D)		
COMPUTER FILENAME :	TDS208	DRAWING N ^o TDS-208
G & J HALL Ltd.		SH ^T .
		MOD.