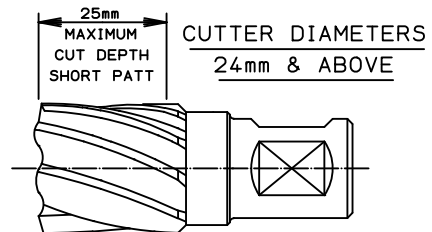
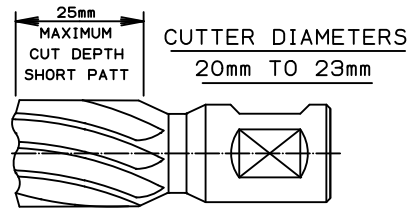
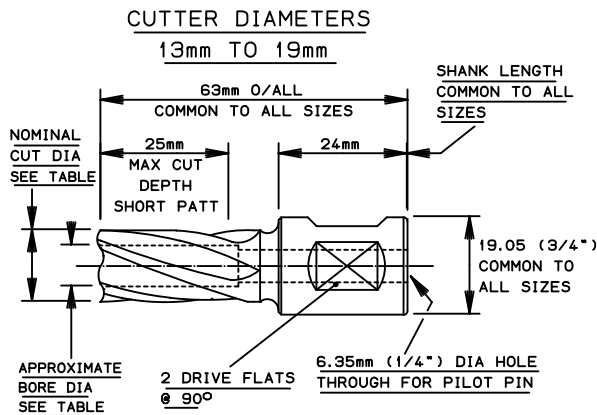
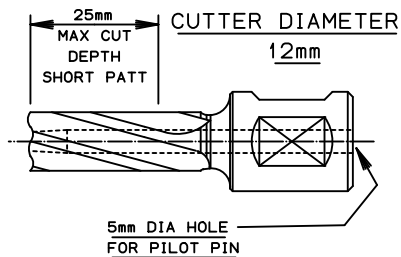


DRAWING N°  
TDS-209

SH<sup>T</sup>. 1 MOD. C



CUTTER DIA NOMINAL	INTERNAL PRODUCT CODE	NUMBER OF FLUTES	BORE DIAMETER (REF)	APPROX WEIGHT (grammes)
12mm	20AAM12	4	4.5mm	60g
13mm	20AAM13	4	7mm	68g
14mm	20AAM14	4	7mm	70g
15mm	20AAM15	4	7mm	74g
16mm	20AAM16	5	8mm	76g
17mm	20AAM17	5	8mm	82g
18mm	20AAM18	5	8mm	88g
19mm	20AAM19	5	9mm	88g
20mm	20AAM20	6	10mm	88g
21mm	20AAM21	6	11mm	90g
22mm	20AAM22	6	12mm	92g
23mm	20AAM23	6	13mm	95g
24mm	24AAM24	6	14mm	98g
25mm	20AAM25	6	15mm	102g
26mm	20AAM26	8	16mm	110g
27mm	20AAM27	8	17mm	114g
28mm	20AAM28	8	18mm	118g
29mm	20AAM29	8	19mm	120g
30mm	20AAM30	8	20mm	126g
31mm	20AAM31	8	21mm	132g
32mm	20AAM32	8	22mm	138g
33mm	20AAM33	8	23mm	140g
34mm	20AAM34	8	24mm	148g
35mm	20AAM35	8	25mm	156g
36mm	20AAM36	10	26mm	158g
37mm	20AAM37	10	27mm	168g
38mm	20AAM38	10	28mm	168g
39mm	20AAM39	10	29mm	172g
40mm	20AAM40	10	30mm	184g

CUTTER DIA NOMINAL	INTERNAL PRODUCT CODE	NUMBER OF FLUTES	BORE DIAMETER (REF)	APPROX WEIGHT (grammes)
41mm	20AAM41	10	31mm	188g
42mm	20AAM42	10	32mm	200g
43mm	20AAM43	10	33mm	200g
44mm	20AAM44	10	34mm	208g
45mm	20AAM45	10	35mm	220g
46mm	20AAM46	12	36mm	220g
47mm	20AAM47	12	37mm	240g
48mm	20AAM48	12	38mm	240g
49mm	20AAM49	12	39mm	240g
50mm	20AAM50	12	40mm	240g
51mm	20AAM51	12	41mm	260g
52mm	20AAM52	12	42mm	260g
53mm	20AAM53	12	43mm	280g
54mm	20AAM54	12	44mm	280g
55mm	20AAM55	12	45mm	280g
56mm	20AAM56	14	46mm	300g
57mm	20AAM57	14	47mm	300g
58mm	20AAM58	14	48mm	320g
59mm	20AAM59	14	49mm	320g
60mm	20AAM60	14	50mm	320g
61mm	20AAM61	14	51mm	340g
62mm	20AAM62	14	52mm	360g
63mm	20AAM63	14	53mm	360g
64mm	20AAM64	14	54mm	360g
65mm	20AAM65	16	55mm	360g

MOD NO	MOD NOTE REF NO	DATE OF MOD
A	MOD 1855	24-01-02
B	MOD 1977	08-09-04
C	MOD 2070	11-04-07

MATERIAL  
BM2 HIGH SPEED STEEL

FINISH  
SEE DRG TDS-219

REMARKS

THIS DRAWING IS FOR CUSTOMER COMMUNICATION & CATALOGUE DATA ONLY		
DATE	24-01-02	CATALOGUE REF.
DRAWN	G. WINNARD	SEE TOOL DIA
CHECK <sup>D</sup>		
DO NOT SCALE		

SHORT PATTERN CUTTERS (25mm:1" CUT DEPTH)

TITLE M2 POWERBOR HIGH SPEED STEEL SHORT PATTERN CUTTERS METRIC - CUTTER RANGE 12mm - 65mm

COMPUTER FILENAME : TDS290S1	DRAWING N° TDS-209
G & J HALL Ltd.	SH <sup>T</sup> . 1 MOD. C