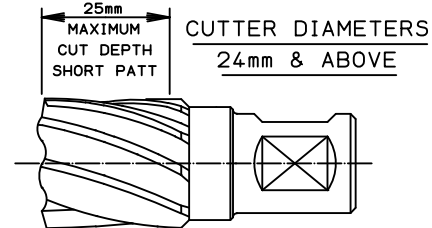
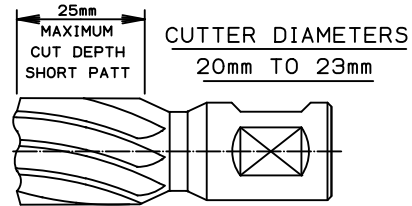
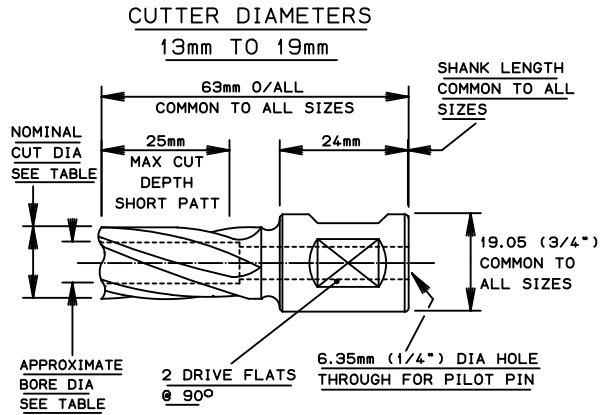
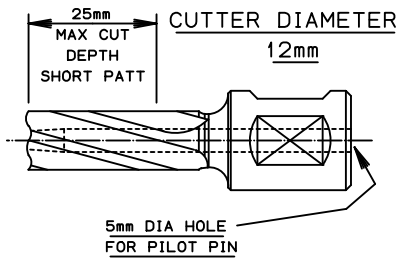


DRAWING N°
TDS-209

SH^T. 3 MOD. C



CUTTER DIA NOMINAL	INTERNAL PRODUCT CODE	NUMBER OF FLUTES	BORE DIAMETER (REF)	APPROX WEIGHT (grammes)
12mm	20BAM12	4	4.5mm	60g
13mm	20BAM13	4	7mm	68g
14mm	20BAM14	4	7mm	70g
15mm	20BAM15	4	7mm	74g
16mm	20BAM16	5	8mm	76g
17mm	20BAM17	5	8mm	82g
18mm	20BAM18	5	8mm	88g
19mm	20BAM19	5	9mm	90g
20mm	20BAM20	6	10mm	88g
21mm	20BAM21	6	11mm	90g
22mm	20BAM22	6	12mm	92g
23mm	20BAM23	6	13mm	95g
24mm	24BAM24	6	14mm	98g
25mm	20BAM25	6	15mm	102g
26mm	20BAM26	8	16mm	110g
27mm	20BAM27	8	17mm	114g
28mm	20BAM28	8	18mm	118g
29mm	20BAM29	8	19mm	120g
30mm	20BAM30	8	20mm	126g
31mm	20BAM31	8	21mm	132g
32mm	20BAM32	8	22mm	138g
33mm	20BAM33	8	23mm	140g
34mm	20BAM34	8	24mm	148g
35mm	20BAM35	8	25mm	156g
36mm	20BAM36	10	26mm	158g
37mm	20BAM37	10	27mm	168g
38mm	20BAM38	10	28mm	168g
39mm	20BAM39	10	29mm	172g
40mm	20BAM40	10	30mm	184g

CUTTER DIA NOMINAL	INTERNAL PRODUCT CODE	NUMBER OF FLUTES	BORE DIAMETER (REF)	APPROX WEIGHT (grammes)
41mm	20BAM41	10	31mm	188g
42mm	20BAM42	10	32mm	200g
43mm	20BAM43	10	33mm	200g
44mm	20BAM44	10	34mm	208g
45mm	20BAM45	10	35mm	220g
46mm	20BAM46	12	36mm	220g
47mm	20BAM47	12	37mm	240g
48mm	20BAM48	12	38mm	233g
49mm	20BAM49	12	39mm	240g
50mm	20BAM50	12	40mm	240g
51mm	20BAM51	12	41mm	260g
52mm	20BAM52	12	42mm	260g
53mm	20BAM53	12	43mm	280g
54mm	20BAM54	12	44mm	280g
55mm	20BAM55	12	45mm	280g
56mm	20BAM56	14	46mm	300g
57mm	20BAM57	14	47mm	300g
58mm	20BAM58	14	48mm	320g
59mm	20BAM59	14	49mm	320g
60mm	20BAM60	14	50mm	320g
61mm	20BAM61	14	51mm	340g
62mm	20BAM62	14	52mm	360g
63mm	20BAM63	14	53mm	360g
64mm	20BAM64	14	54mm	360g
65mm	20BAM65	16	55mm	360g

MOD N°	MOD NOTE REF N°	DATE OF MOD
A	MOD 1855	24-01-02
B	MOD 1977	09-09-04 MA
C	MOD 2070	11-04-07

MATERIAL
BM42 HIGH SPEED STEEL

FINISH
SEE DRG TDS-219

REMARKS

THIS DRAWING IS FOR CUSTOMER COMMUNICATION & CATALOGUE DATA ONLY

DATE	24-01-02	CATALOGUE REF.
DRAWN	G. WINNARD	SEE TOOL DIA
CHECK ^D		
DO NOT SCALE		

TITLE M42 POWERBOR PREMIUM COLBALT HIGH SPEED STEEL SHORT PATTERN CUTTERS. METRIC - CUTTER RANGE 12mm TO 65mm

COMPUTER FILENAME	TDS290S3	DRAWING N°	TDS-209
G & J HALL Ltd.		SH ^T . 3	MOD. C

SHORT PATTERN CUTTERS (25mm:1" CUT DEPTH)