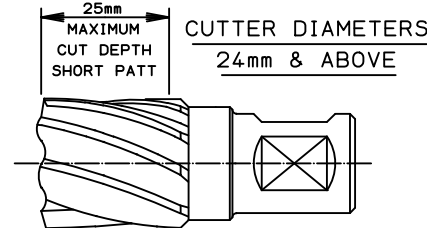
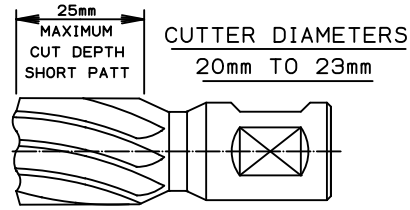
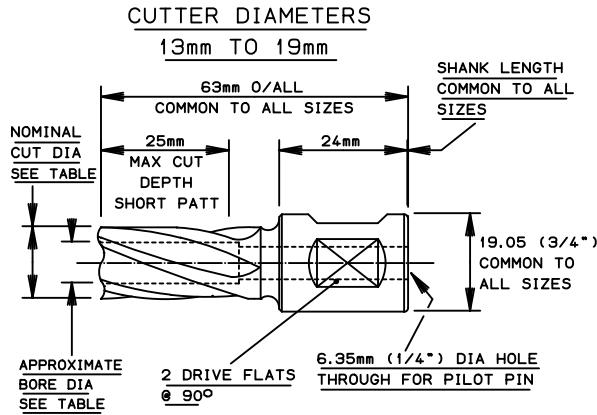
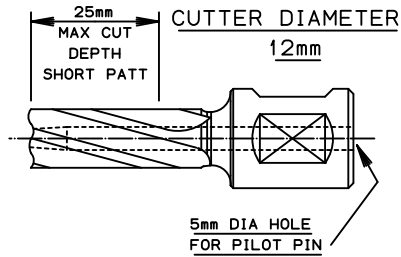


DRAWING N°
TDS-209

SH^T 5 MOD. C



CUTTER DIA NOMINAL	INTERNAL PRODUCT CODE	NUMBER OF FLUTES	BORE DIAMETER (REF)	APPROX WEIGHT (grammes)
12mm	20AJM12	4	4.5mm	60g
13mm	20AJM13	4	7mm	68g
14mm	20AJM14	4	7mm	70g
15mm	20AJM15	4	7mm	74g
16mm	20AJM16	5	8mm	76g
17mm	20AJM17	5	8mm	82g
18mm	20AJM18	5	8mm	88g
19mm	20AJM19	5	9mm	88g
20mm	20AJM20	6	10mm	88g
21mm	20AJM21	6	11mm	90g
22mm	20AJM22	6	12mm	92g
23mm	20AJM23	6	13mm	95g
24mm	20AJM24	6	14mm	98g
25mm	20AJM25	6	15mm	102g
26mm	20AJM26	8	16mm	110g
27mm	20AJM27	8	17mm	114g
28mm	20AJM28	8	18mm	118g
29mm	20AJM29	8	19mm	120g
30mm	20AJM30	8	20mm	126g
31mm	20AJM31	8	21mm	132g
32mm	20AJM32	8	22mm	138g
33mm	20AJM33	8	23mm	140g
34mm	20AJM34	8	24mm	148g
35mm	20AJM35	8	25mm	156g
36mm	20AJM36	10	26mm	158g
37mm	20AJM37	10	27mm	168g
38mm	20AJM38	10	28mm	168g
39mm	20AJM39	10	29mm	172g
40mm	20AJM40	10	30mm	184g

CUTTER DIA NOMINAL	INTERNAL PRODUCT CODE	NUMBER OF FLUTES	BORE DIAMETER (REF)	APPROX WEIGHT (grammes)
41mm	20AJM41	10	31mm	188g
42mm	20AJM42	10	32mm	200g
43mm	20AJM43	10	33mm	200g
44mm	20AJM44	10	34mm	208g
45mm	20AJM45	10	35mm	220g
46mm	20AJM46	12	36mm	220g
47mm	20AJM47	12	37mm	240g
48mm	20AJM48	12	38mm	240g
49mm	20AJM49	12	39mm	240g
50mm	20AJM50	12	40mm	240g
51mm	20AJM51	12	41mm	260g
52mm	20AJM52	12	42mm	260g
53mm	20AJM53	12	43mm	280g
54mm	20AJM54	12	44mm	280g
55mm	20AJM55	12	45mm	280g
56mm	20AJM56	14	46mm	300g
57mm	20AJM57	14	47mm	300g
58mm	20AJM58	14	48mm	320g
59mm	20AJM59	14	49mm	320g
60mm	20AJM60	14	50mm	320g
61mm	20AJM61	14	51mm	340g
62mm	20AJM62	14	52mm	360g
63mm	20AJM63	14	53mm	360g
64mm	20AJM64	14	54mm	360g
65mm	20AJM65	16	55mm	360g

MOD NO	MOD NOTE REF NO	DATE OF MOD
A	MOD 1855	24-01-02
B	MOD 1977	09-09-04 MA
C	MOD 2070	11-04-07

MATERIAL
HIGH SPEED STEEL

FINISH
BLUE ALL OVER
SEE DRG TDS-219

REMARKS

THIS DRAWING IS FOR CUSTOMER COMMUNICATION & CATALOGUE DATA ONLY

DATE	24-01-02	CATALOGUE REF.
DRAWN	G. WINNARD	SEE TOOL DIA
CHECK ^D		
DO NOT SCALE		

TITLE POWERBOR BLUE HIGH SPEED STEEL SHORT PATTERN CUTTERS METRIC - CUTTER RANGE 12mm - 65mm

COMPUTER FILENAME : TDS290S5	DRAWING N° TDS-209
G & J HALL Ltd.	SH ^T 5 MOD. C

SHORT PATTERN CUTTERS (25mm:1" CUT DEPTH)